

Portable Valet Podium

Portable, Full Size, Fast Shipping.

Set up is easy and takes seconds. Simply unfold the unit and lock into place. Convenient, easy grip handles give the podium a unique appearance. The podium is constructed out of high-grade steel and holds up to 100 keys. The front of the podium features an interchangeable sign allowing you to add your own signage.

This full sized valet podium folds down to a thickness of 4" and easily fits in the back seat of your car.



Basic Features

- Easy grip handles for transportation
- Durable metal construction
- Scratch-resistant, textured black finish
- Interchangeable black sign (550mm x 830mm, 3mm thick)
- 100 Key hook capacity
- Key Cam Lock
- Steel working surface with umbrella holder
- 3 pins keep podium locked when folded
- Manufacturer's Warranty

Dimensions:

When Folded: 26.25" W x 4" D x 48" H

When Set Up: 27" W x 21" D x 48" H

Weight: 98 lbs.

Upgrade Options

Accessories

Valet Umbrella + \$195

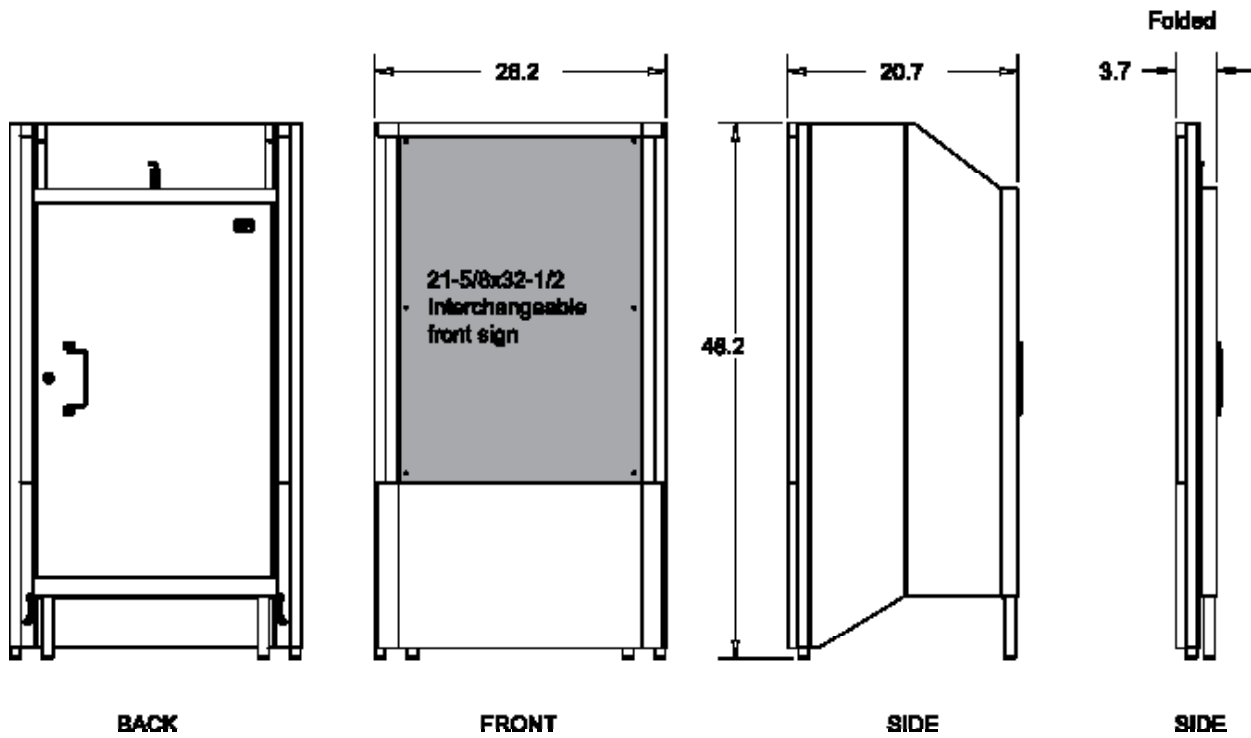
Valet Flap Umbrella + \$235

Key Fob Pouch + \$20/ pack of 10

Key Fob Pouch - RFID Protection
 + \$20 / pack of 5

Podium Cover Included





**TOTAL COST
BEFORE DELIVERY**

\$549.95