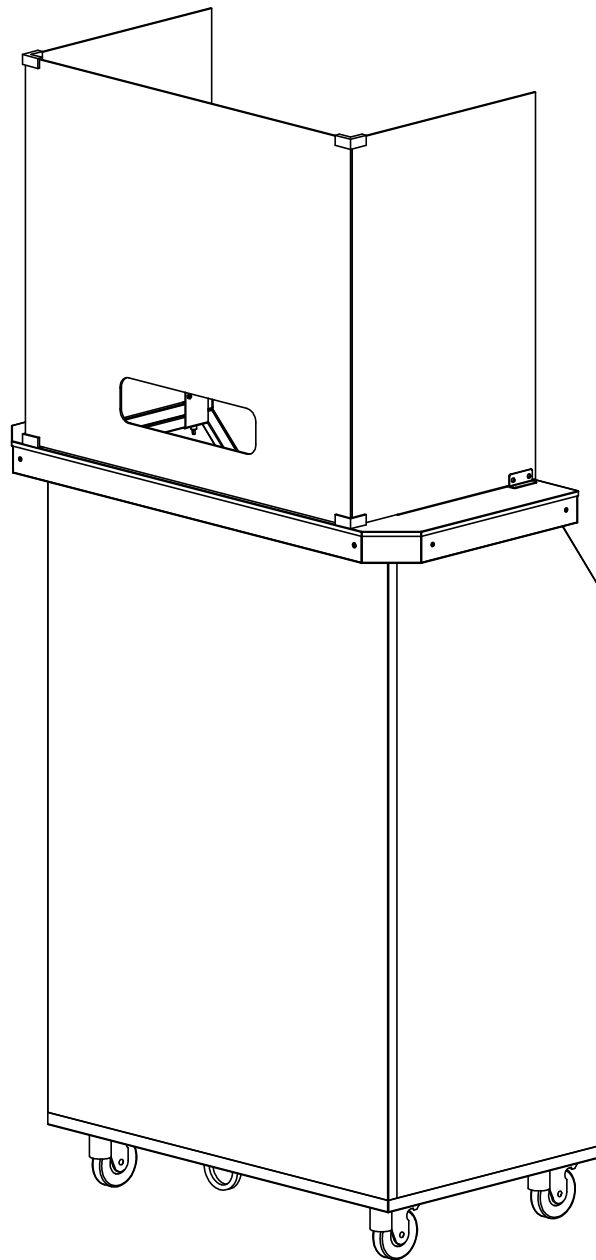


THE
VALET
SPOT

DELUXE PODIUM
SNEEZE GUARD SET UP

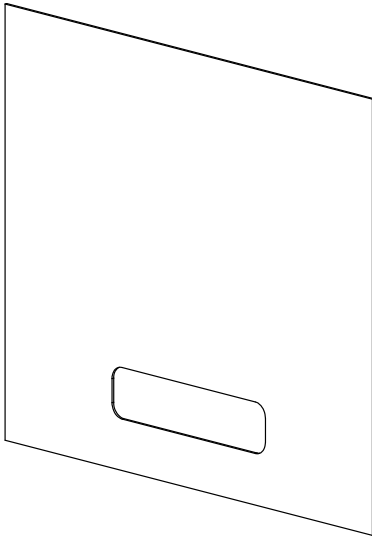


- **Read all the instructions before installing.**
- **Remove all packing materials before you start.**
- **Remove all protection films from acrylic panels.**
- **This installation requires basic mechanical skills.**
- **Proper installation is the responsibility of the installer.**
- **Product failure due to improper installation is not covered under the warranty.**
- **Keep this instruction manual.**

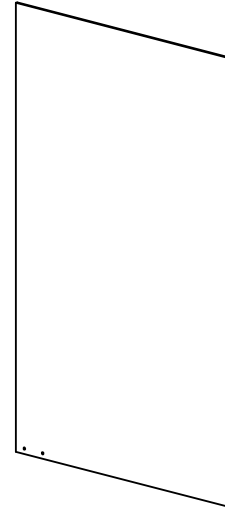
Notes: Two people are required to properly install this accessory.

Check and tighten all hardware regularly to ensure quality and safety of item.

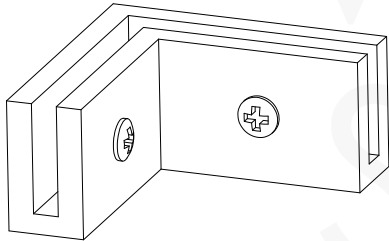
Sneeze Guard Front Piece
QTY: 1



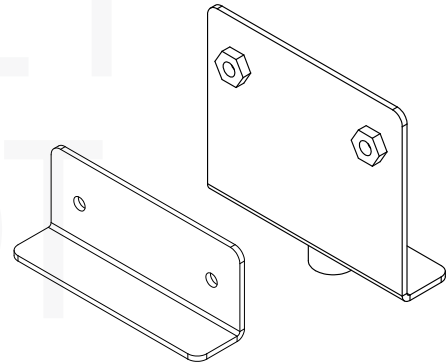
Sneeze Guard Side Piece
QTY: 2



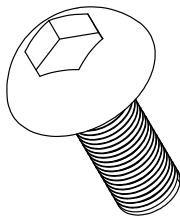
Corner Acrylic Bracket
QTY: 4



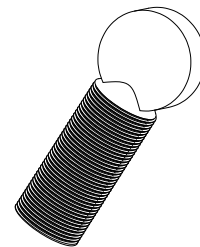
Inner/Outer Mounting Brackets
QTY: 2 ea



Hex Head Bolt
QTY: 4



Thumbscrew
QTY: 2



Note: Parts are not to scale.

STEP 1: Lay down sneeze guard front piece on a flat surface. Install all four acrylic corner brackets as shown below:

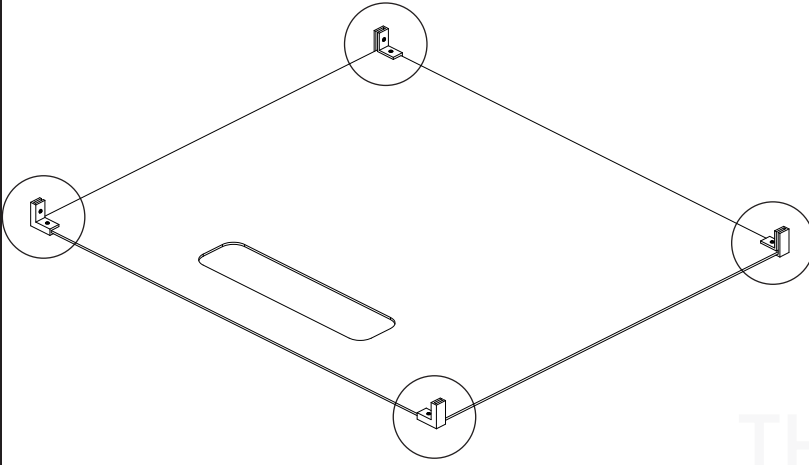


Figure 1

STEP 2: Install side pieces by aligning them with the corner brackets on the front piece. Tighten all four brackets using a phillips screw driver.

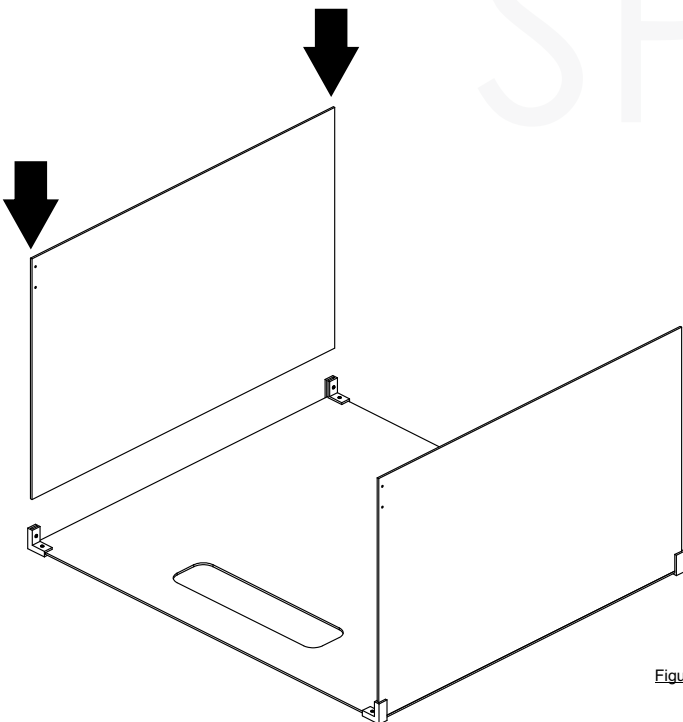


Figure 2

STEP 3: With two people, lift the guard and place on top of the counter (highlighted) ensuring both bottom corner brackets stay within the counter surface.

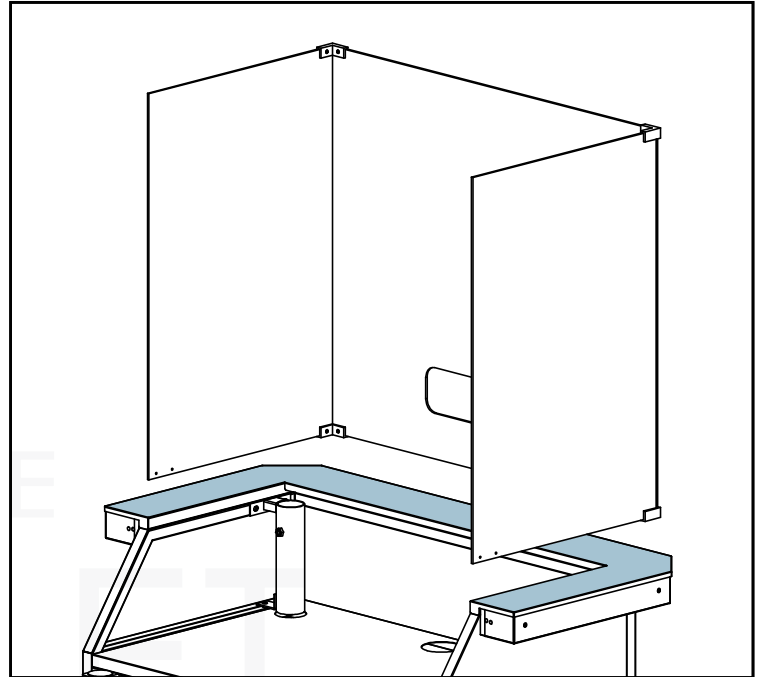


Figure 3

STEP 4: Set the outer bracket on the left side of the counter while aligning it with the holes in the side panel.

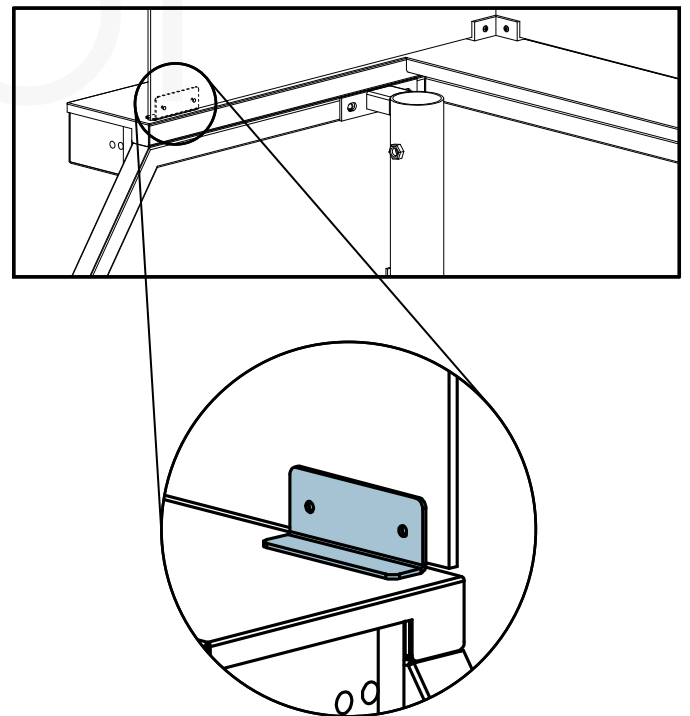


Figure 4

STEP 5: Align inner bracket with the holes in the side panel and outer bracket. Hand tighten the brackets together with the hex bolt ensuring the side panel stays in place between the brackets.

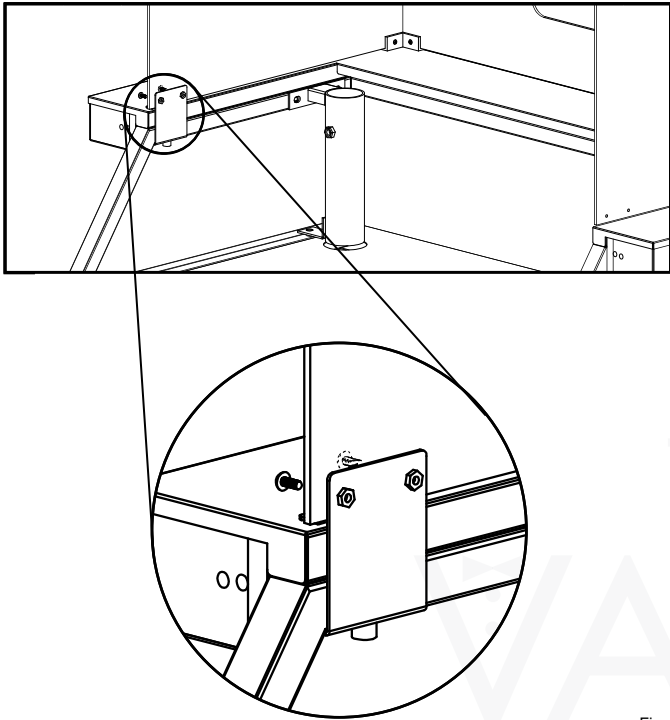


Figure 5

STEP 6: Use the thumbscrew on the underside of the inner bracket to attach and secure the assembled guard to the trim of the podium.

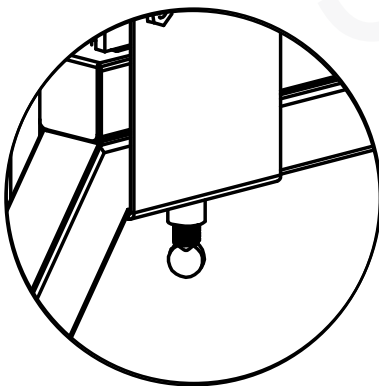


Figure 6

STEP 7: Repeat Steps 4 through 6 on the other side panel and finish tightening all 4 bolts with included allen wrench.

Note: Make sure all hardware is securely fastened

Final Assembly

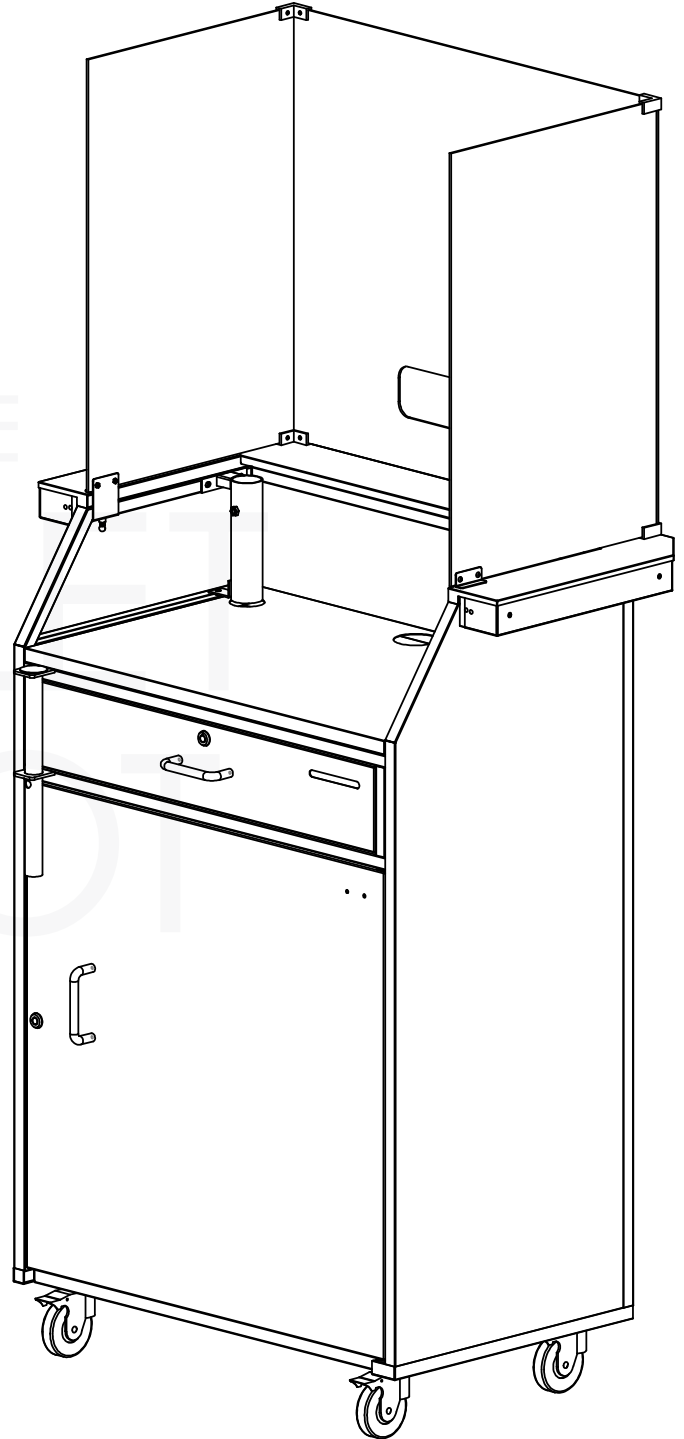


Figure 7

THE
VALET
SPOT

Contact us

Tel # 877-451-8321

Fax # 866-659-3353

E-mail: sales@thevaletspot.com

Visit us at

www.thevaletspot.com

