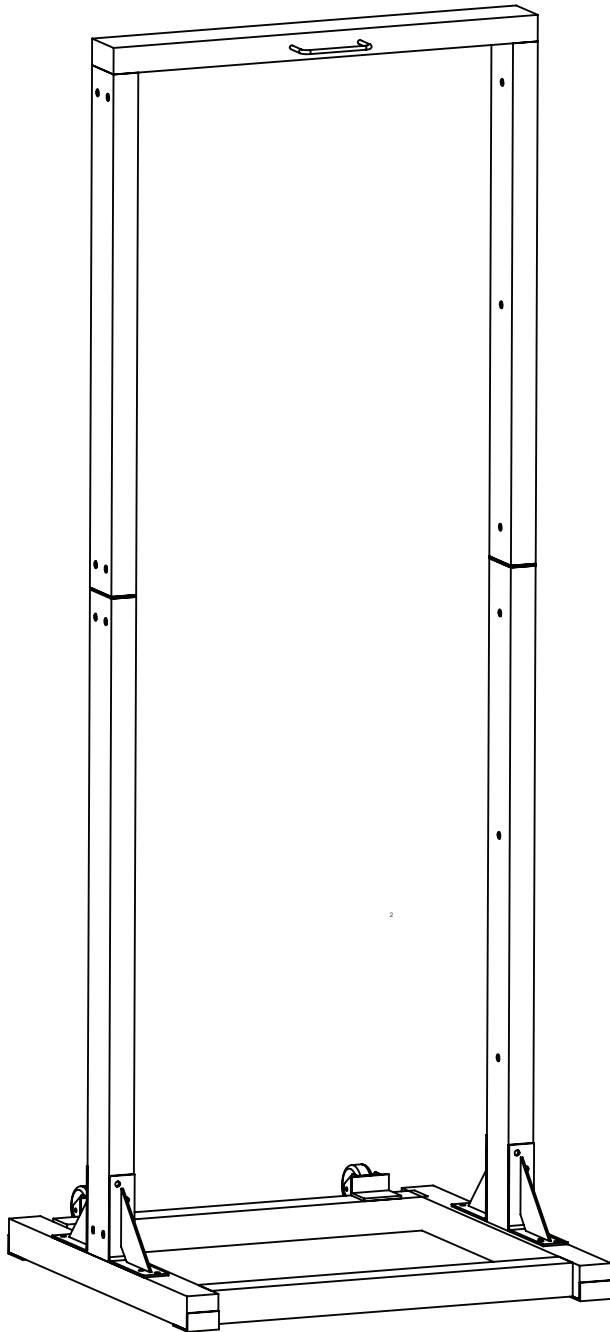


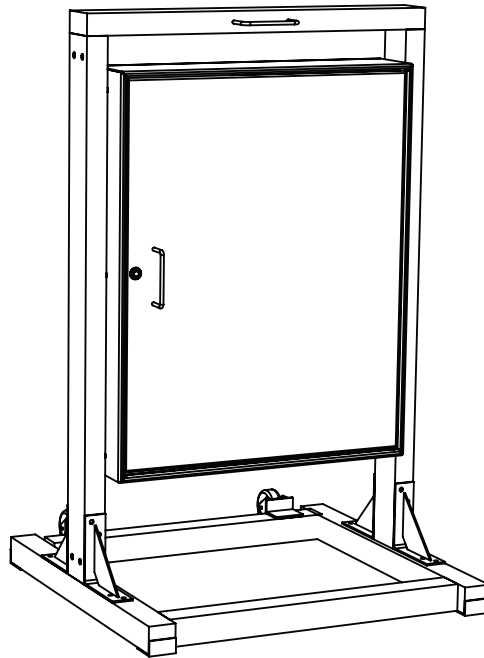
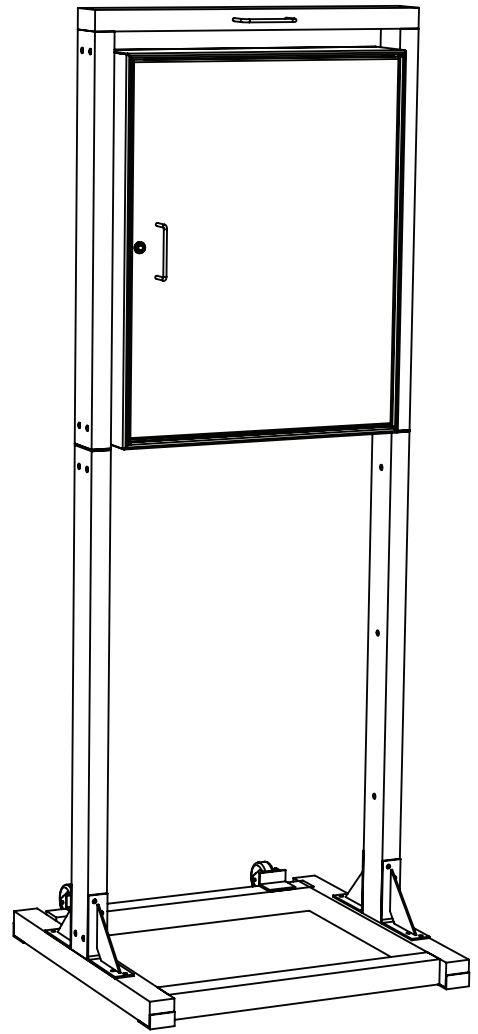
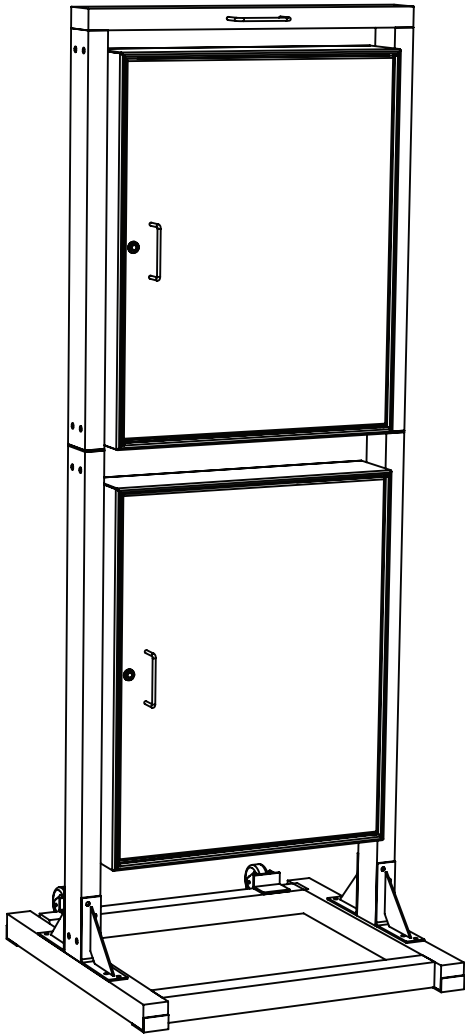
THE

---

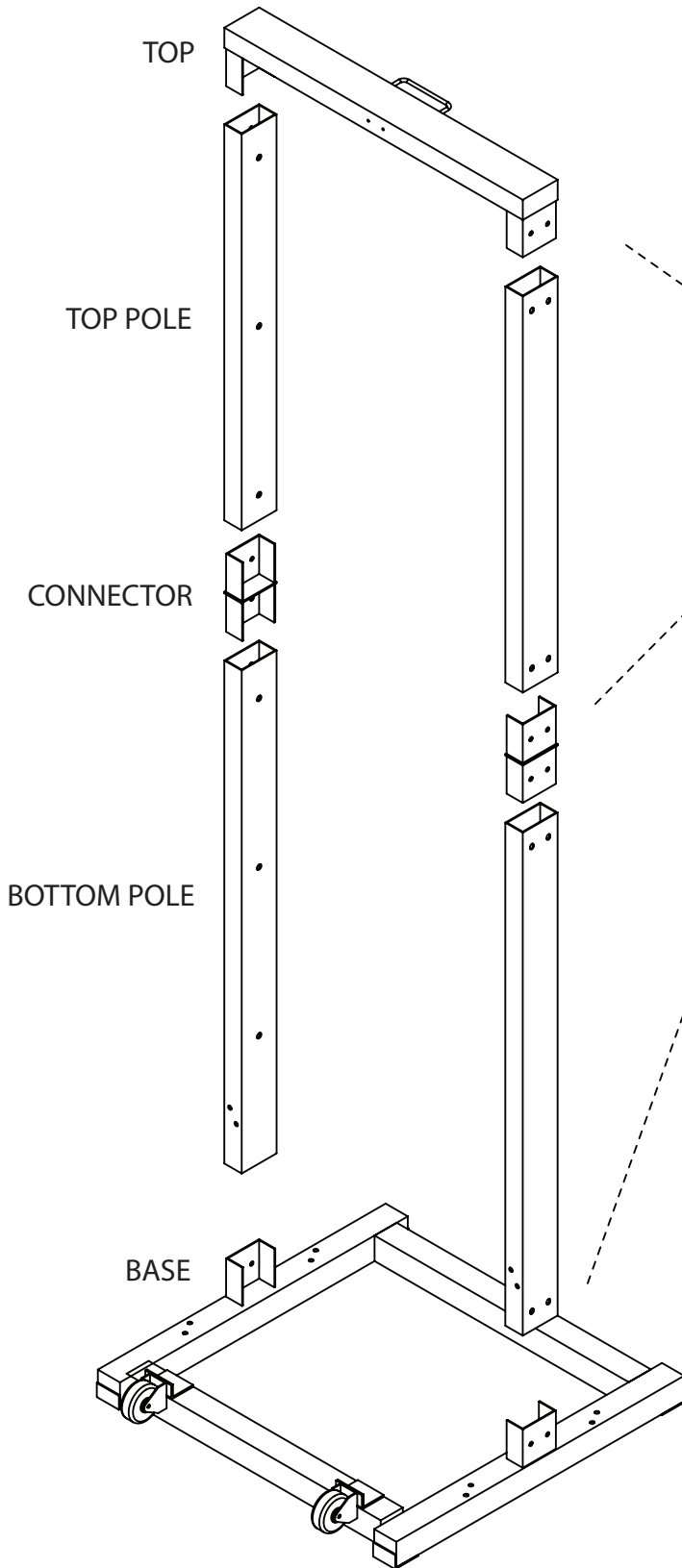
# VALET SPOT

---





NOTE: POSSIBLE CONFIGURATIONS. OMIT TOP POLE AND CONNECTOR FOR SMALL UNIT.  
SHOWN WITH TT-KB01 KEY BOX, NOT INCLUDED.



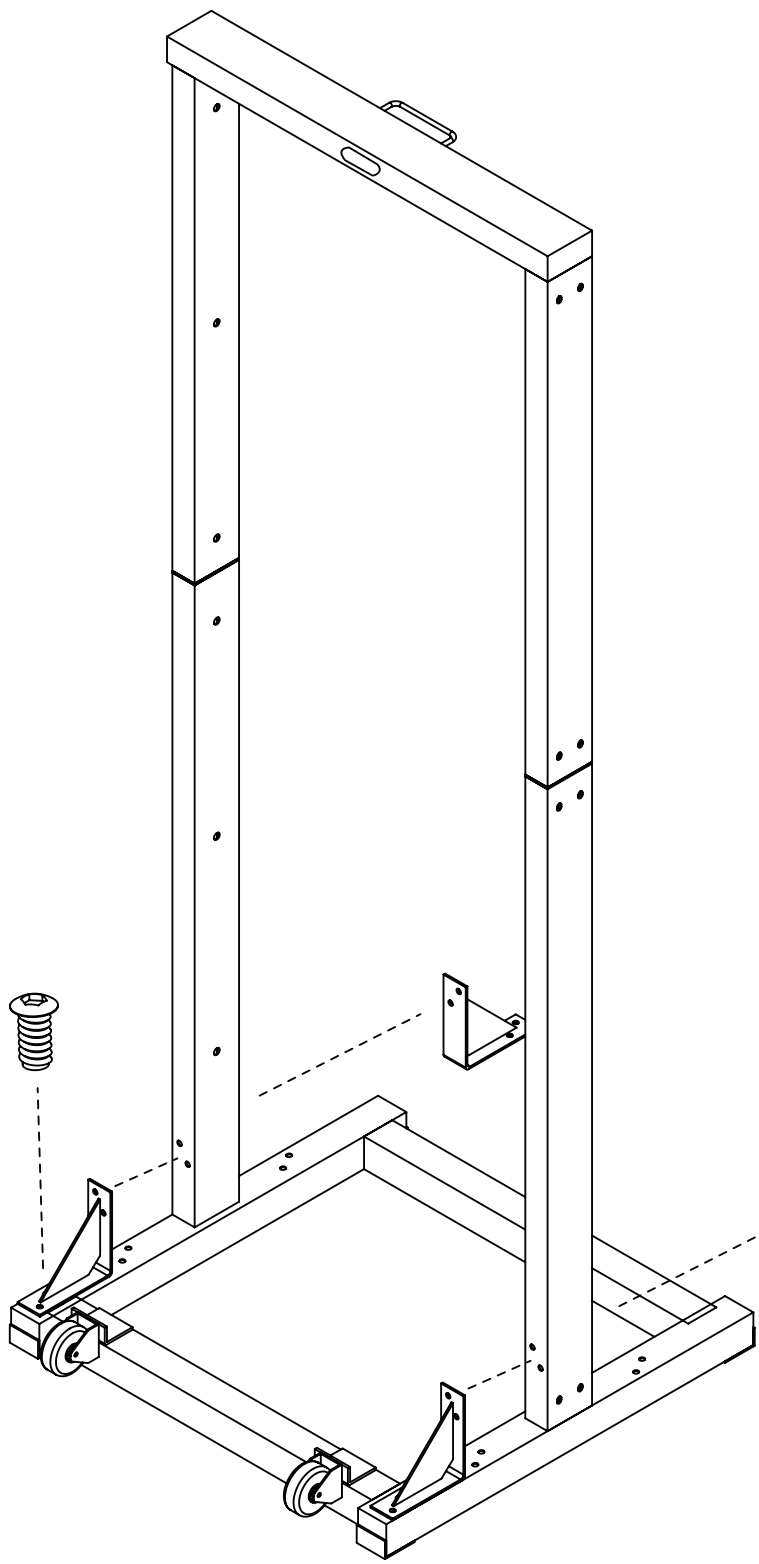
M8X20 , 16 pcs

ASSEMBLE PARTS AS SHOWN.

NOTE:

BECAUSE OF COATING, USE OF A RUBBER Mallet OR WOOD BLOCK MAY BE NECESSARY TO JOIN PARTS. INSERT BOLTS BUT DO NOT TIGHTEN FULLY UNTIL ALL PARTS HAVE BEEN SUCCESSFULLY INSTALLED FOLLOWING STEP 2.

STEP 1



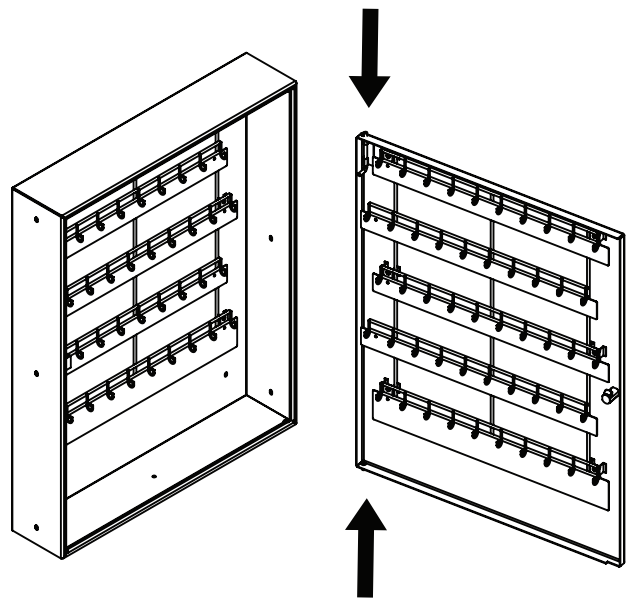
TIGHTEN ALL BOLTS IN STEP 1.  
ONCE THE 4 BRACES HAVE BEEN  
INSTALLED. THEN TIGHTEN  
BRACE BOLTS COMPLETELY.

M8X20 , 16PCS

BRACE

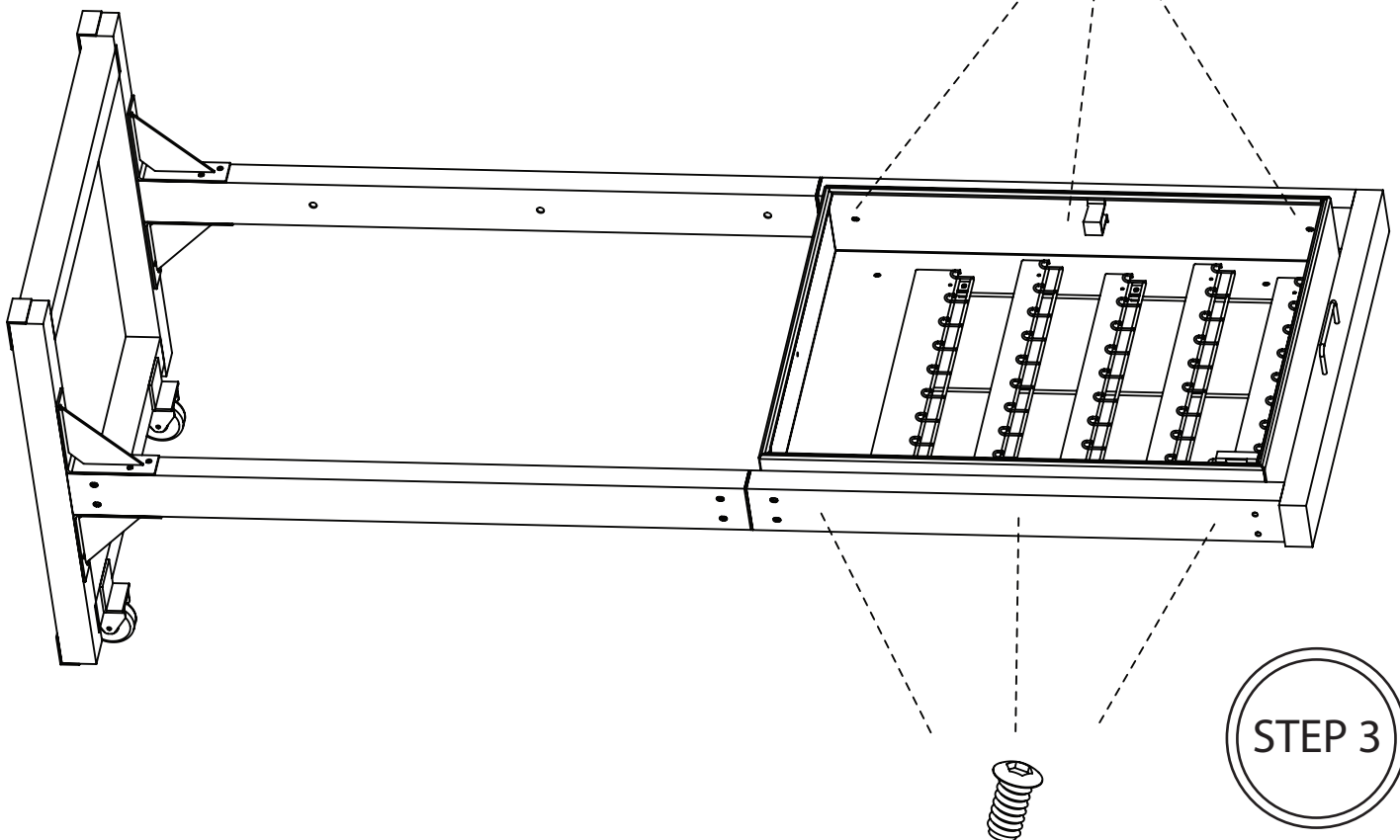
STEP 2

REMOVE THE DOOR ON THE KEY BOX USING THE SPRING LATCH. THIS WILL MAKE ACCESS TO THE MOUNTING HOLES EASIER. AFTER INSTALLATION TO THE STAND, RE-ATTACH THE DOOR.



REST THE UNIT ON ITS SIDE. INSTALL THE MOUNTING BOLTS THAT ATTACH THE BOX TO THE STAND. TIGHTEN ALL BOLTS EVENLY ONCE THEY HAVE ALL BEEN INSERTED.

M6X20 , 12pcs



STEP 3