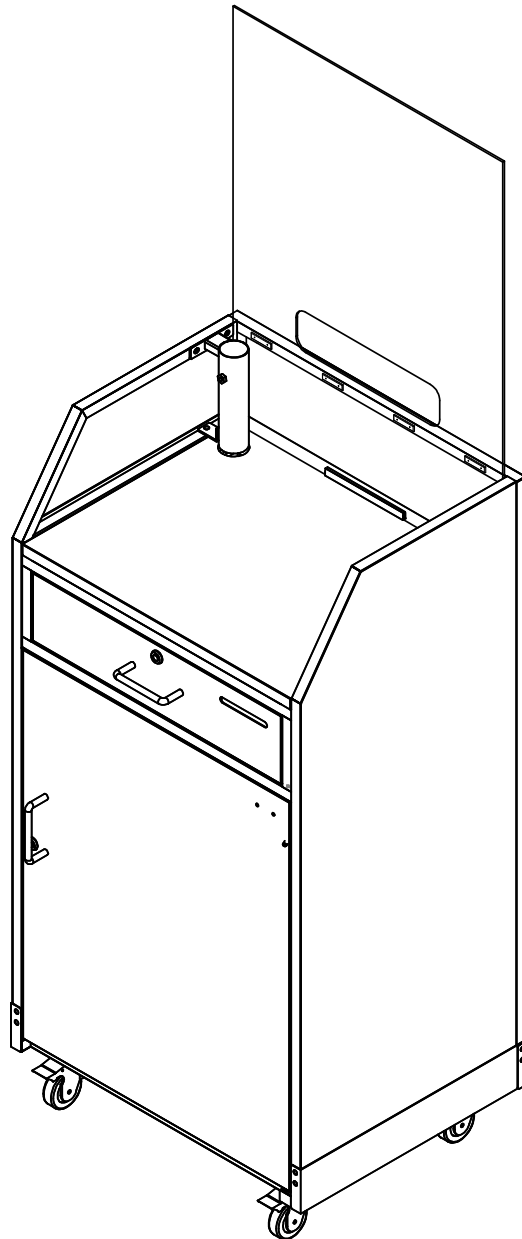


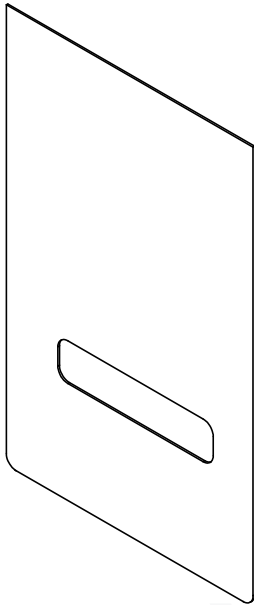
THE
VALET
SPOT

STANDARD PODIUM
SNEEZE GUARD SET UP

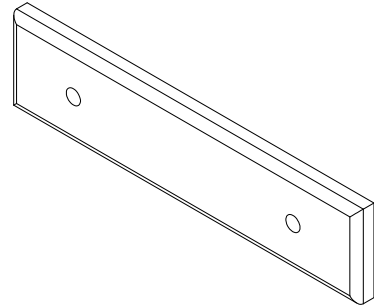


- **Read all the instructions before installing.**
- **Remove all packing materials before you start.**
- **Remove all protection films from acrylic panels.**
- **This installation requires basic mechanical skills.**
- **Proper installation is the responsibility of the installer.**
- **Product failure due to improper installation is not covered under the warranty.**
- **Keep this instruction manual.**

Sneeze Guard
QTY: 1

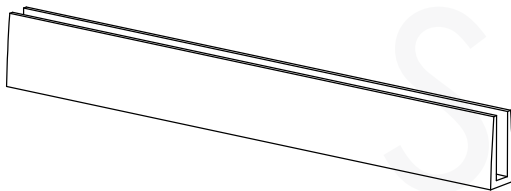


Magnet
QTY: 4



Note: Magnets come attached to Sneeze Guard

Aluminum Channel
QTY: 1



Note: Parts are not to scale.

STEP 1: Install sneeze guard by sliding in from above with magnets forward. Attach magnets to the lip of the top counter (highlighted in red).

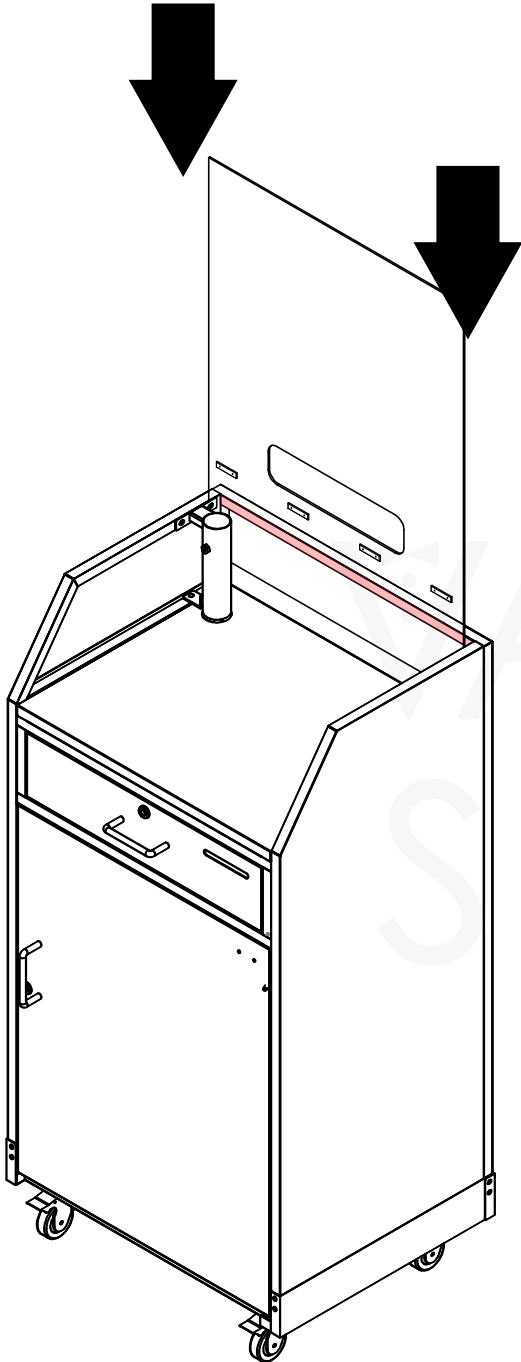


Figure 1

Follow next page steps if additional stability is needed

These steps will increase stability but the Aluminum Channel will strongly adhere to the work surface

STEP 1: Use a piece of masking tape to mark where the sneeze guard touches the working surface.

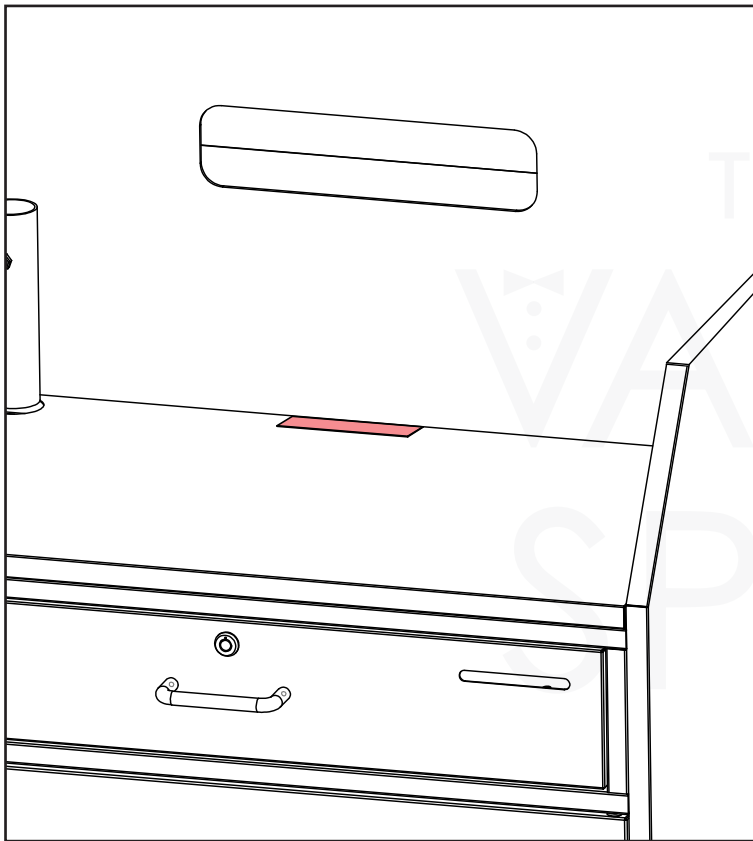


Figure 2

STEP 2: Remove sneeze guard completely.

STEP 4: Peel double sided tape on the bottom of the Aluminum Channel and adhere it to working surface. Follow the tape marking as shown below:

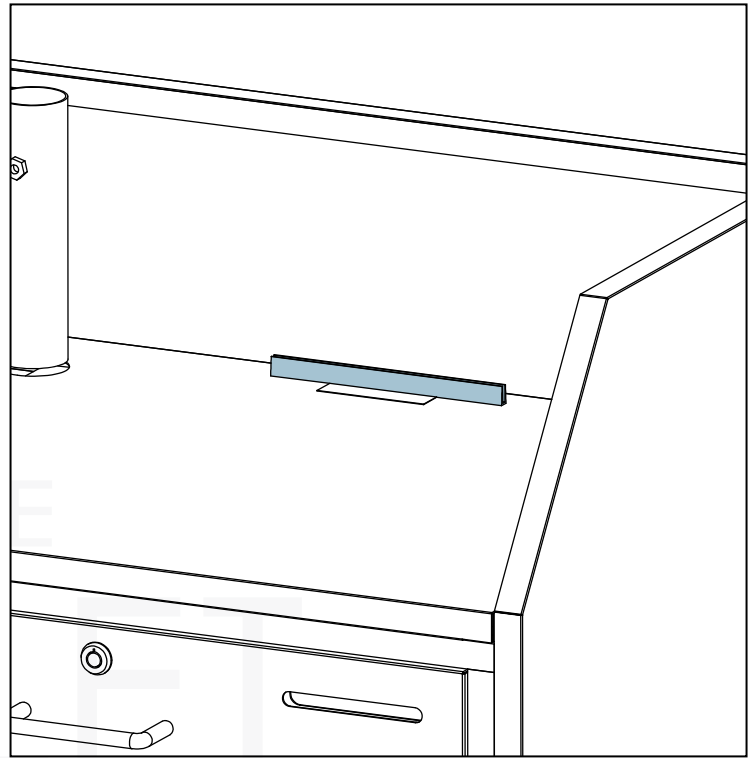


Figure 3

STEP 5: Remove tape marking.

STEP 6: Re-install sneeze guard following STEP 1 on Page 4 of this guide.

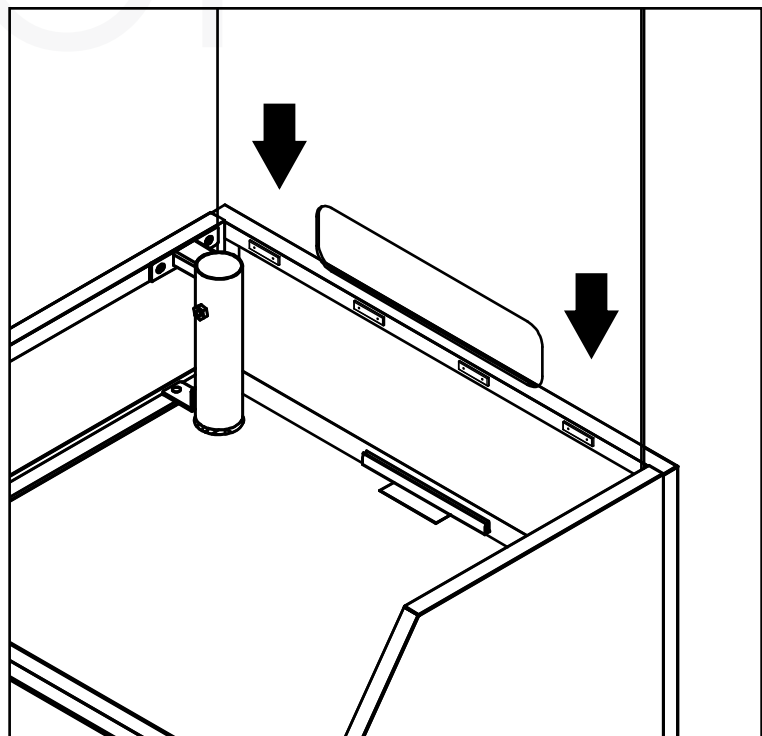


Figure 4

THE
VALET
SPOT

Contact us

Tel # 877-451-8321

Fax # 866-659-3353

E-mail: sales@thevaletspot.com

Visit us at

www.thevaletspot.com

