

Portable Valet Podium

Portable, Full Size, Fast Shipping.

Set up is easy and takes seconds. Simply unfold the unit and lock into place. Convenient, easy grip handles give the podium a unique appearance. The podium is constructed out of high-grade steel and holds up to 100 keys. The front of the podium features an interchangeable sign allowing you to add your own signage.

This full sized valet podium folds down to a thickness of 4" and easily fits in the back seat of your car.



Basic Features

- Easy grip handles for transportation
- Durable metal construction
- Scratch-resistant, textured black finish
- Interchangeable black sign (550mm x 830mm, 3mm thick)
- 100 Key hook capacity
- Staggered key hooks w/ white, screen printed numbers
- Key Cam Lock
- Steel working surface with umbrella holder
- 3 pins keep podium locked when folded
- Podium Cover Included
- Manufacturer's Warranty

Dimensions

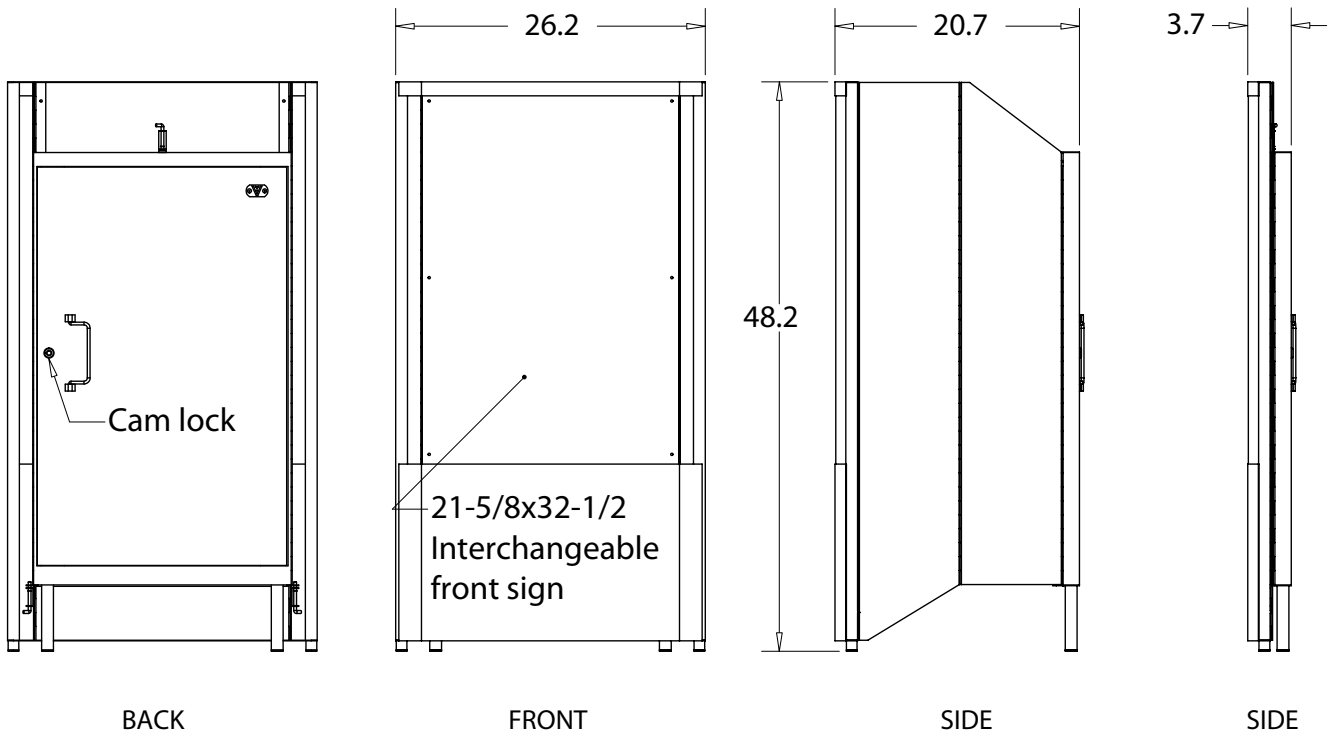
When Folded: 26.25" W x 4" D x 48" H
 When Set Up: 26.5" W x 20.25" D x 48" H

Weight: 70 lbs.





Folded



TOTAL COST BEFORE DELIVERY **\$549.95**