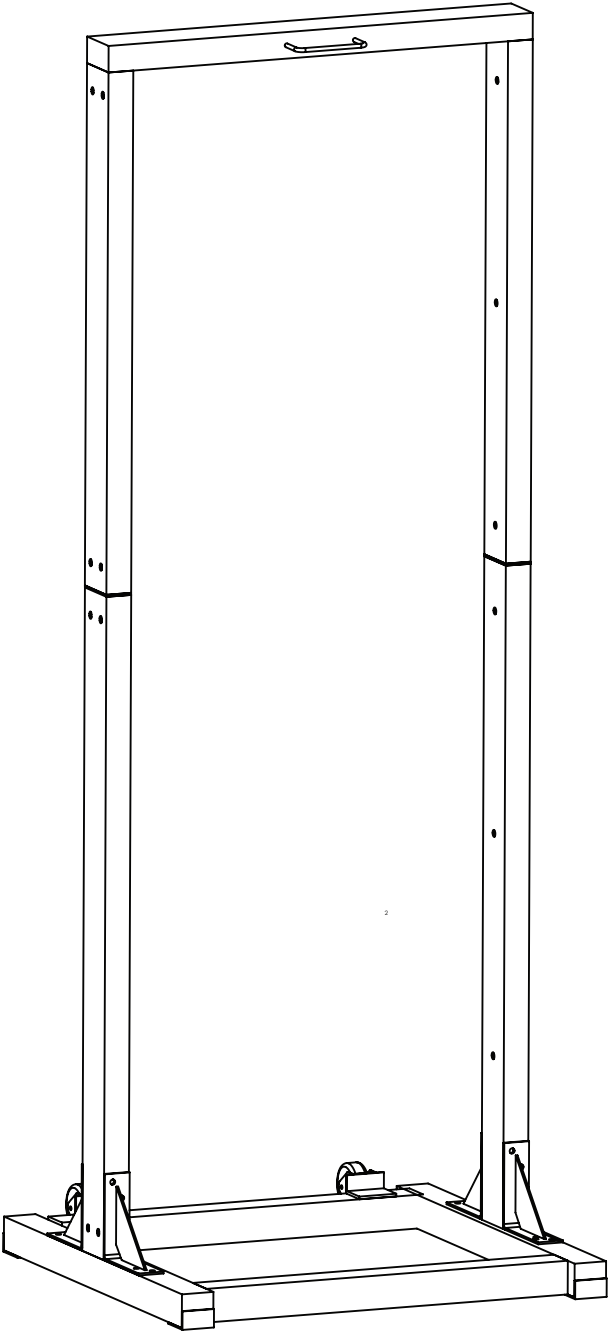
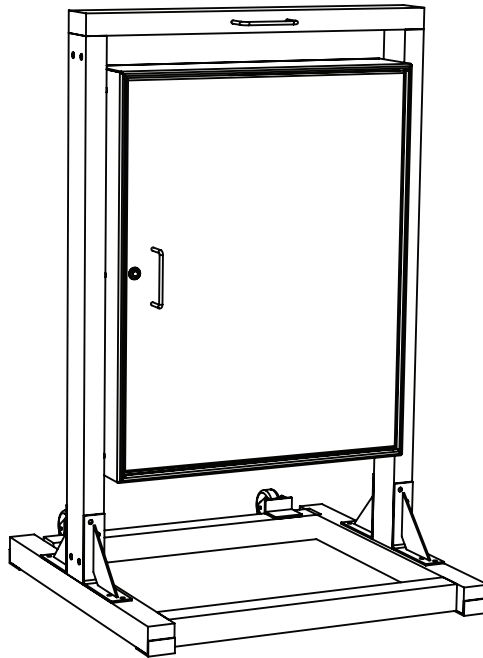
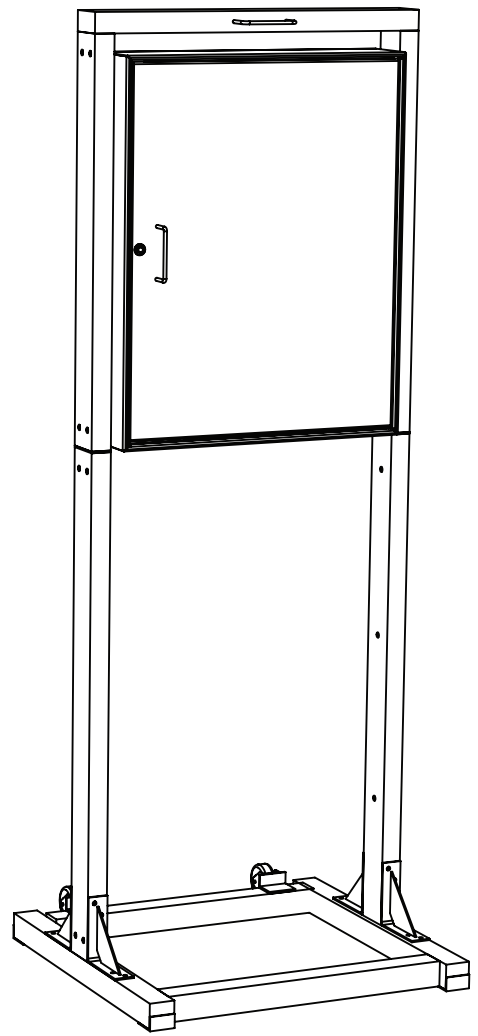
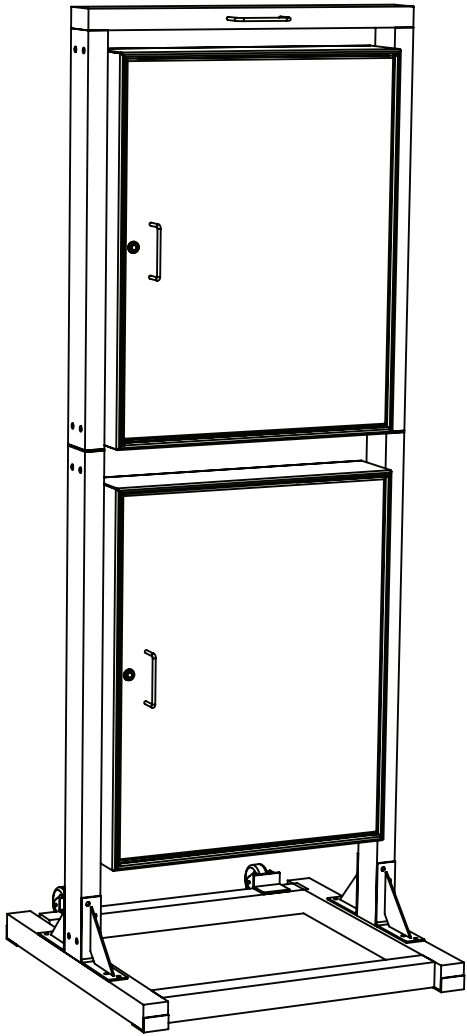


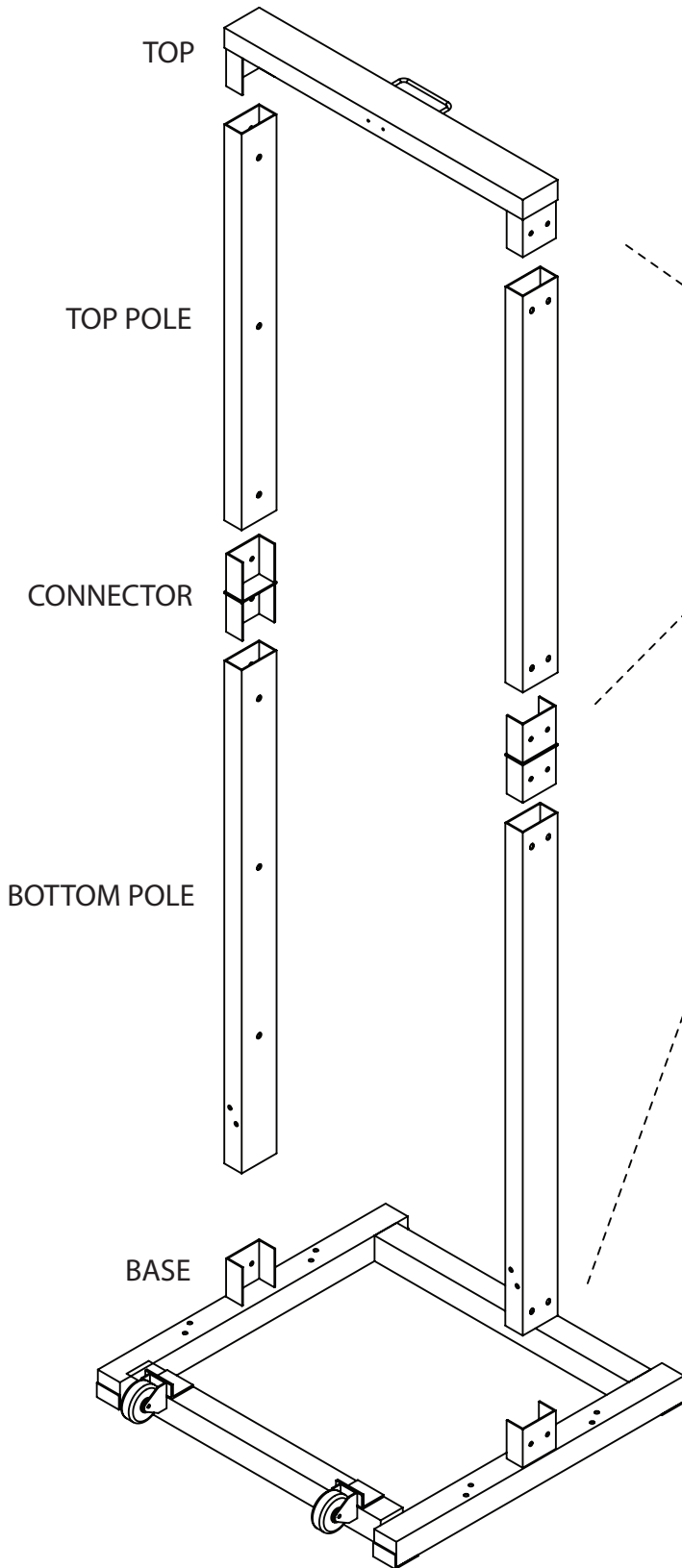
THE

VALET SPOT





NOTE: POSSIBLE CONFIGURATIONS. OMIT TOP POLE AND CONNECTOR FOR SMALL UNIT. SHOWN WITH TT-KB01 KEY BOX, NOT INCLUDED.

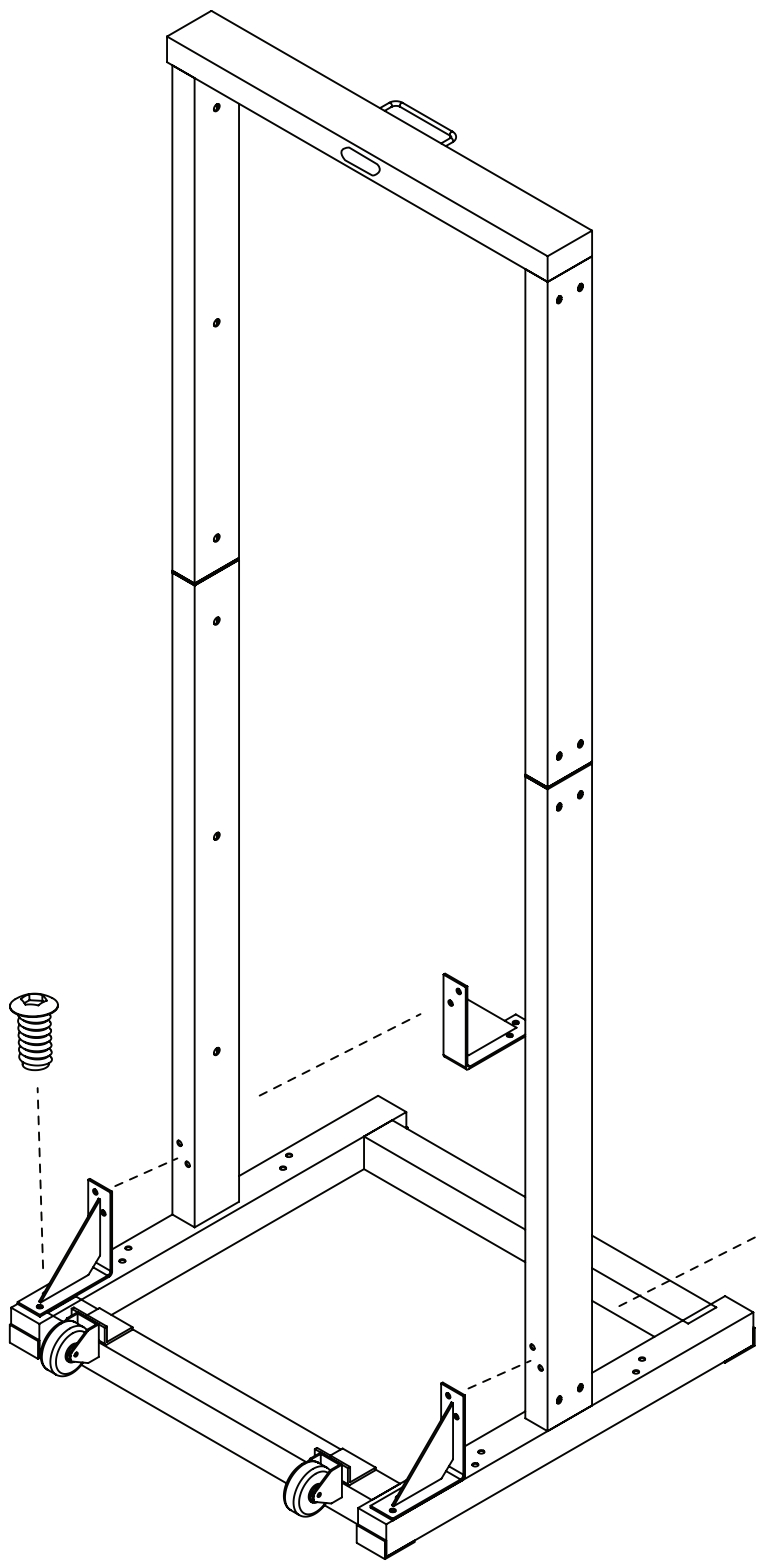


ASSEMBLE PARTS AS SHOWN.

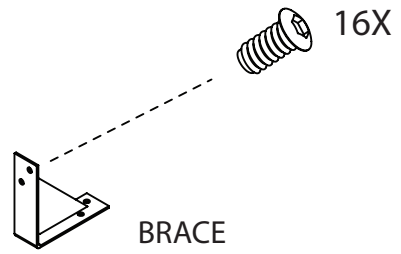
NOTE:

BECAUSE OF COATING, USE OF A RUBBER Mallet OR WOOD BLOCK MAY BE NECESSARY TO JOIN PARTS. INSERT BOLTS BUT DO NOT TIGHTEN FULLY UNTIL ALL PARTS HAVE BEEN SUCCESSFULLY INSTALLED FOLLOWING STEP 2.

STEP 1

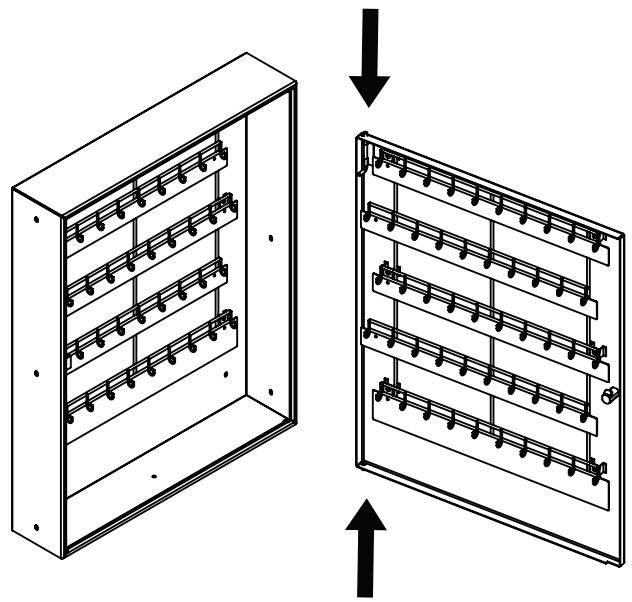


TIGHTEN ALL BOLTS IN STEP 1.
ONCE THE 4 BRACES HAVE BEEN
INSTALLED. THEN TIGHTEN
BRACE BOLTS COMPLETELY.



STEP 2

REMOVE THE DOOR ON THE KEY BOX USING THE SPRING LATCH. THIS WILL MAKE ACCESS TO THE MOUNTING HOLES EASIER. AFTER INSTALLATION TO THE STAND, RE-ATTACH THE DOOR.



REST THE UNIT ON ITS SIDE. INSTALL THE MOUNTING BOLTS THAT ATTACH THE BOX TO THE STAND. TIGHTEN ALL BOLTS EVENLY ONCE THEY HAVE ALL BEEN INSERTED.

